



Installation instructions, accessories

Volvo Car Corporation Gothenburg, Sweden

Instruction No	Version	Part. No.
31359392	1.4	31373459, 31373460, 31373461, 31338930, 31338931, 31338929, 31373462, 31373770

Diffuser



IMG-374989



Installation instructions, accessories

Volvo Car Corporation Gothenburg, Sweden

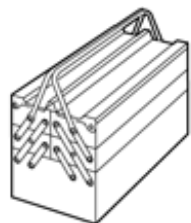
Special tools

999 7234 Hole stamp
Tool number:999 7234
Tool description:Hole stamp
Tool boards:80

Materials

Designation	Part number
Isopropanol	1161721
Activator	8637076

Equipment



IMG-345497



IMG-239660

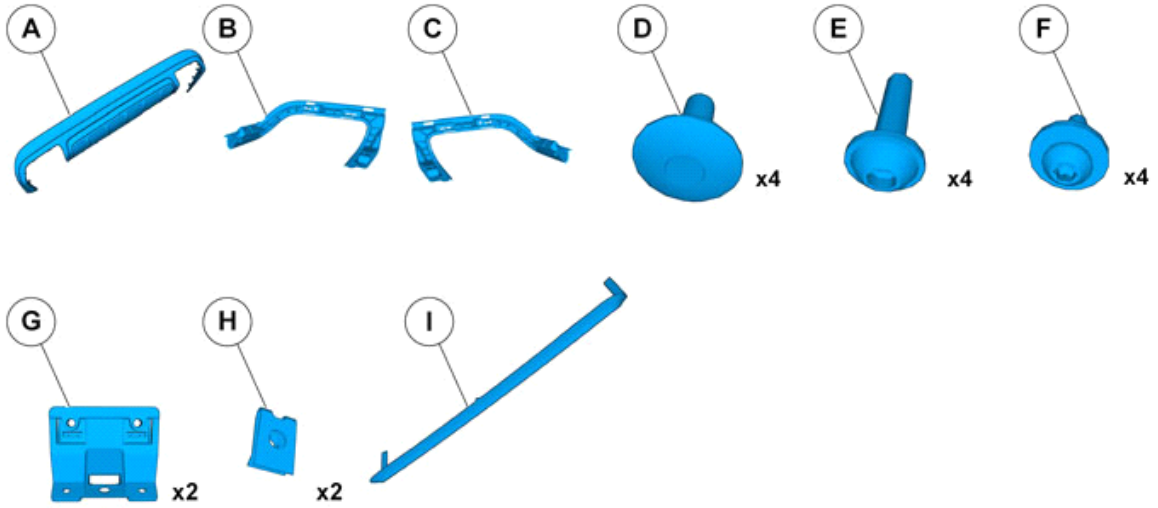


IMG-240693



Installation instructions, accessories

Volvo Car Corporation Gothenburg, Sweden



IMG-375101



Installation instructions, accessories

Volvo Car Corporation Gothenburg, Sweden

Information

1

Read through all of the instructions before starting installation.

Notifications and warning texts are for your safety and to minimise the risk of something breaking during installation.

Ensure that all tools stated in the instructions are available before starting installation.

Certain steps in the instructions are only presented in the form of images. Explanatory text is also given for more complicated steps.

In the event of any problems with the instructions or the accessory, contact your local Volvo dealer.

Further information

2

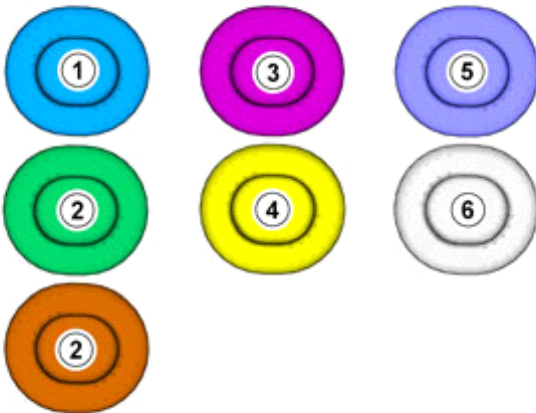
When installing, the car must retain a temperature of 20 degrees C.

After installation, the car must not be washed for 48 hours

There may be parts in the accessories kit that are not needed for this installation.

Color symbols

3



IMG-363036

Note!

This colour chart displays (in colour print and electronic version) the importance of the different colours used in the images of the method steps.

1. Used for focused component, the component with which you will do something.
2. Used as extra colors when you need to show or differentiate additional parts.
3. Used for attachments that are to be removed/installed. May be screws, clips, connectors, etc.
4. Used when the component is not fully removed from the vehicle but only hung to the side.
5. Used for standard tools and special tools.
6. Used as background color for vehicle components.

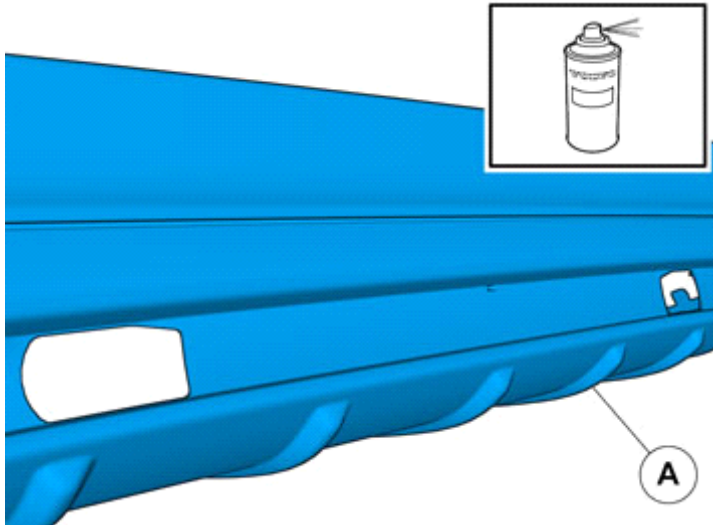


Installation instructions, accessories

Volvo Car Corporation Gothenburg, Sweden

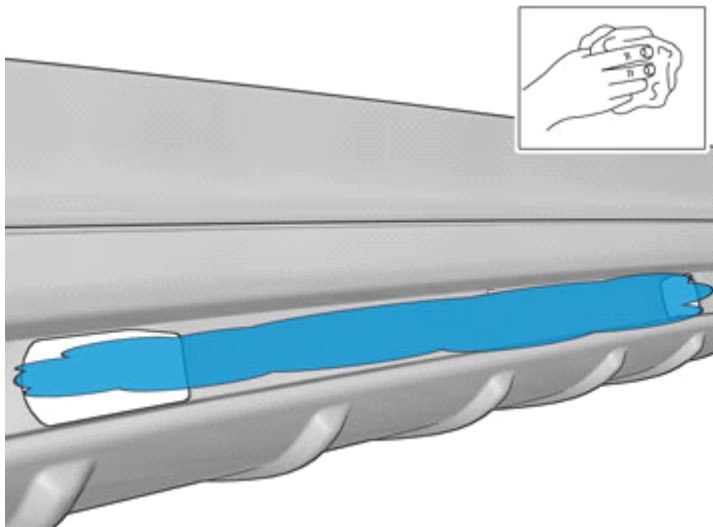
Applies to unpainted component

4



IMG-377406

5



IMG-377315

Caution!

First the paint must dry after painting.

Clean the surface.

Use: 1161721, Isopropanol

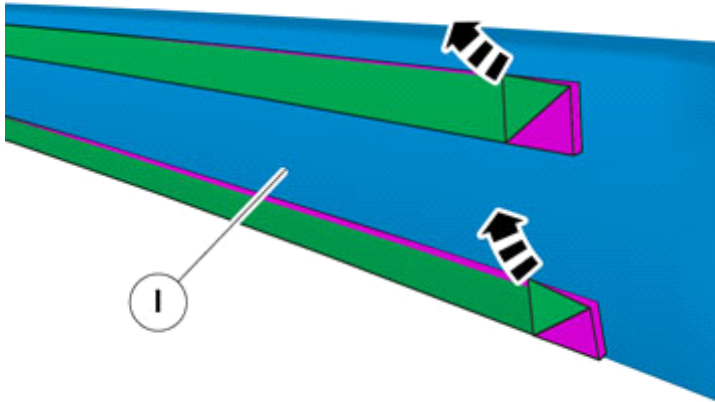


Installation instructions, accessories

Volvo Car Corporation Gothenburg, Sweden

6

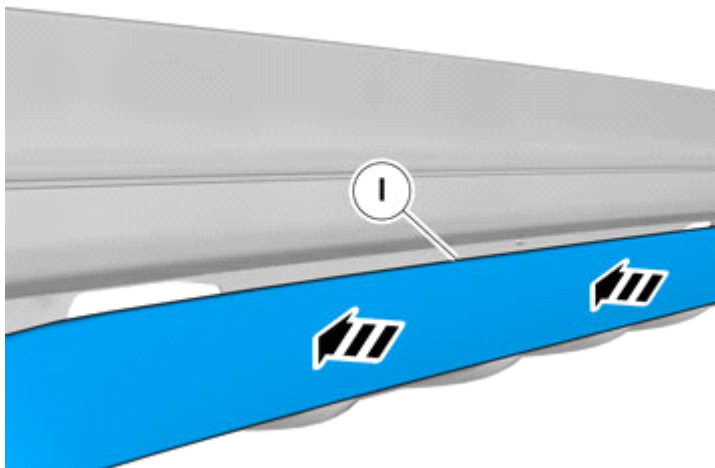
Remove the protective film.



IMG-377404

7

Install component that comes with the accessory kit.



IMG-377405

All vehicles

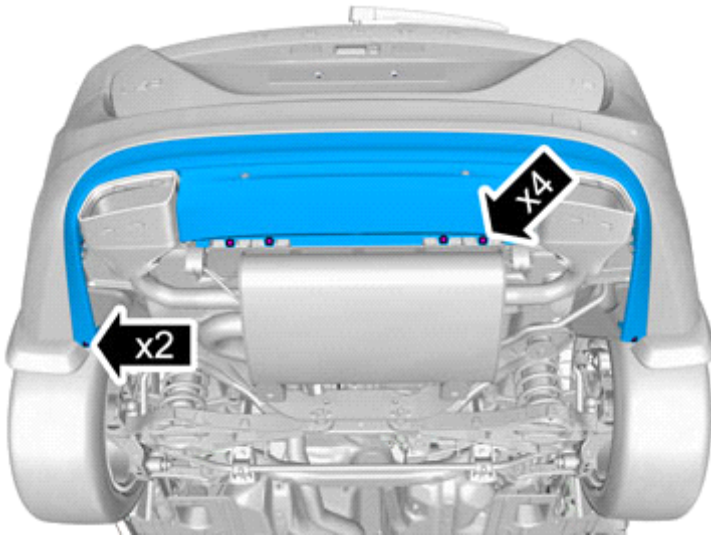
Removal



Installation instructions, accessories

Volvo Car Corporation Gothenburg, Sweden

8

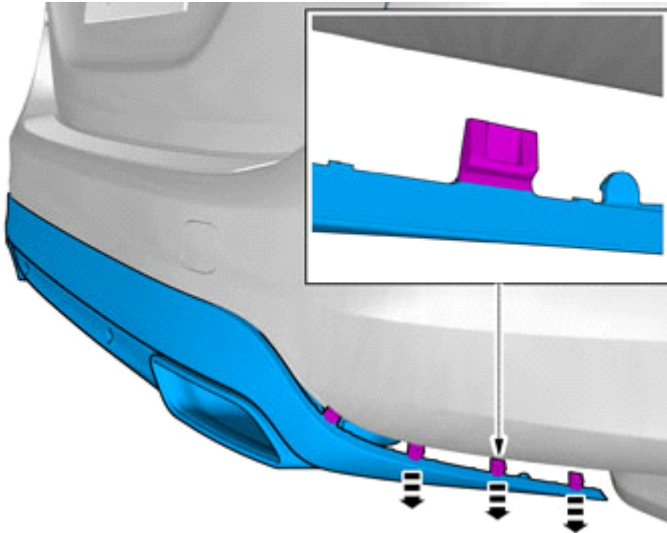


IMG-374993

Remove the screws.

Remove the clips.

9



IMG-374999

Detach the panel.

On both sides.

Use: Interior trim remover

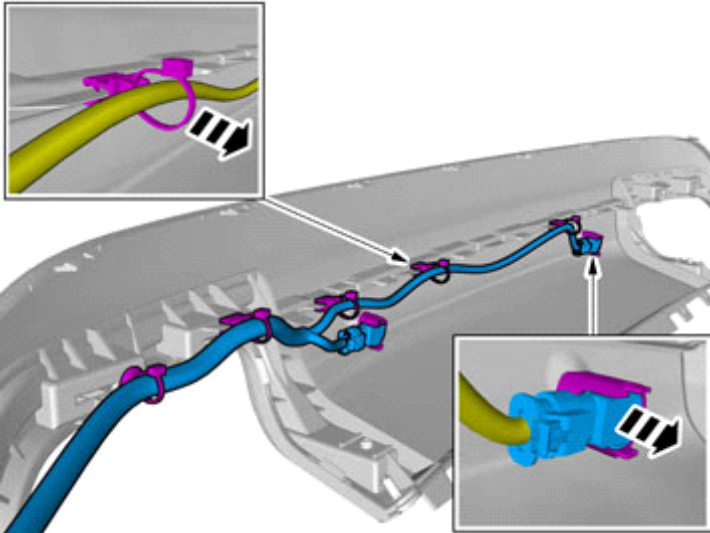
Vehicles with parking assistance



Installation instructions, accessories

Volvo Car Corporation Gothenburg, Sweden

10



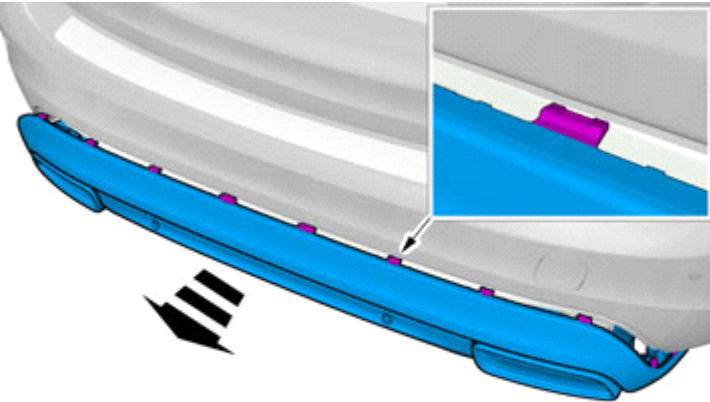
IMG-375029

Note!

The graphic shows the back of the component before removal.

The part is to be reused.

11



IMG-375009

Remove the panel.

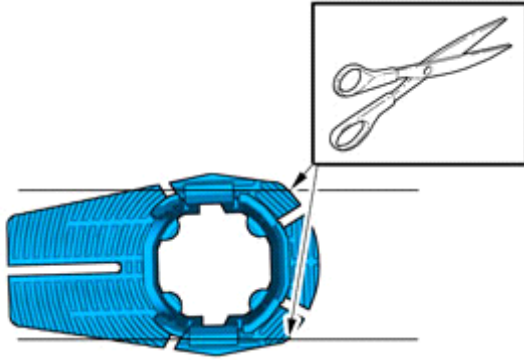
Accessory installation



Installation instructions, accessories

Volvo Car Corporation Gothenburg, Sweden

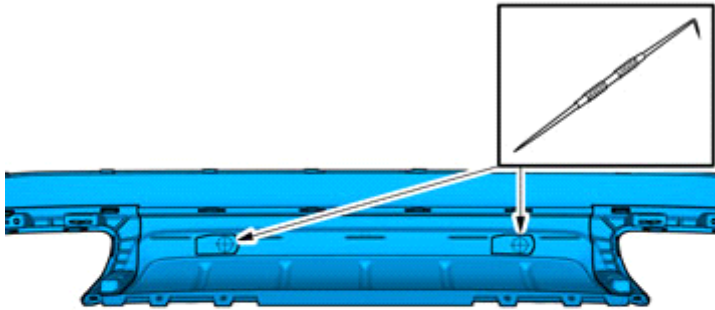
12



x2

IMG-375359

13

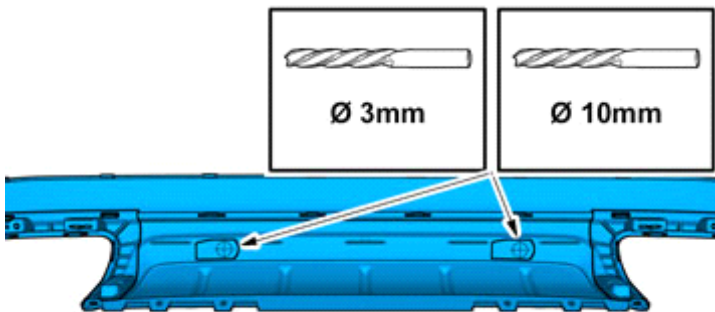


Locate relevant marking.

Measure and mark as illustrated.

IMG-375357

14



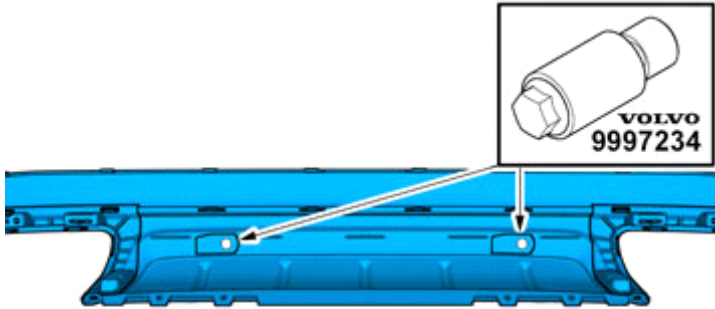
IMG-375364



Installation instructions, accessories

Volvo Car Corporation Gothenburg, Sweden

15

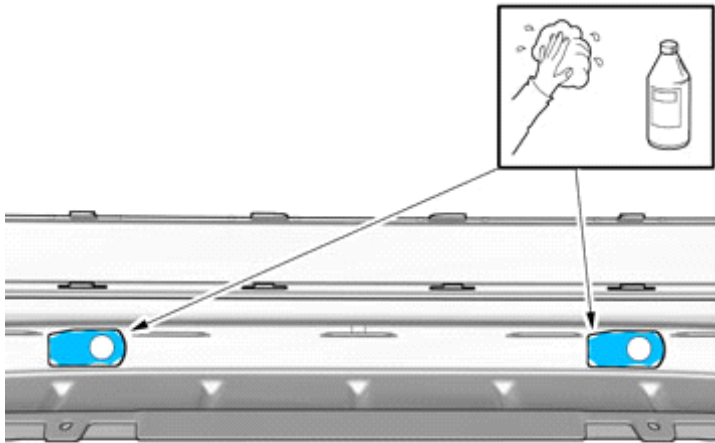


Use special tool: T9997234, Hole stamp

Remove the swarf.

IMG-375369

16



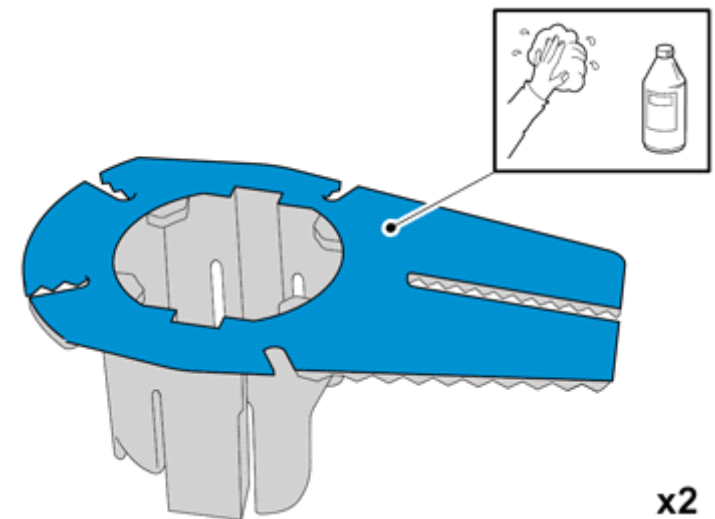
Clean the surfaces.

Allow to dry.

Use: 1161721, Isopropanol

IMG-375376

17



Clean the surfaces.

Use: 1161721, Isopropanol

Allow to dry.

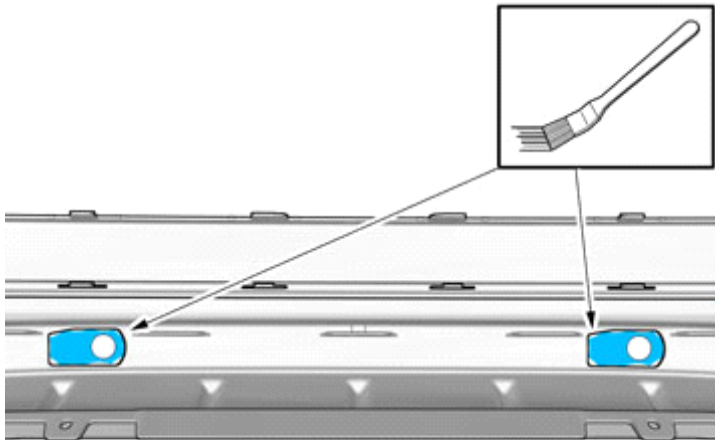
IMG-353519



Installation instructions, accessories

Volvo Car Corporation Gothenburg, Sweden

18



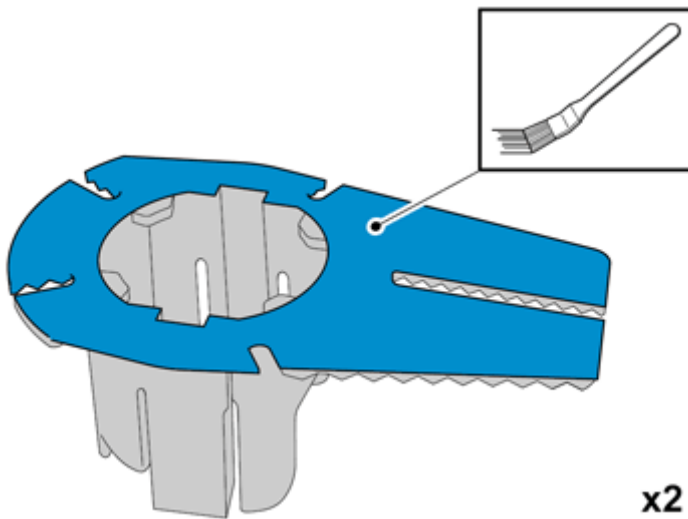
Apply a thin and even layer.

Use: 8637076, Activator

Allow to dry for at least 10 minutes.

IMG-375378

19



Apply a thin and even layer.

Use: 8637076, Activator

Allow to dry for at least 10 minutes.

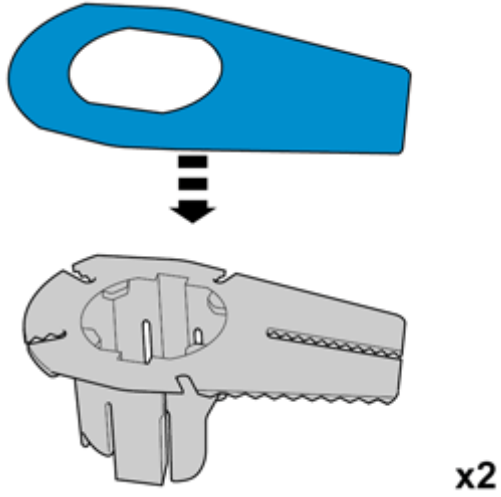
IMG-353518



Installation instructions, accessories

Volvo Car Corporation Gothenburg, Sweden

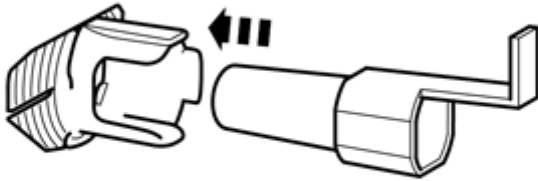
20



IMG-353515

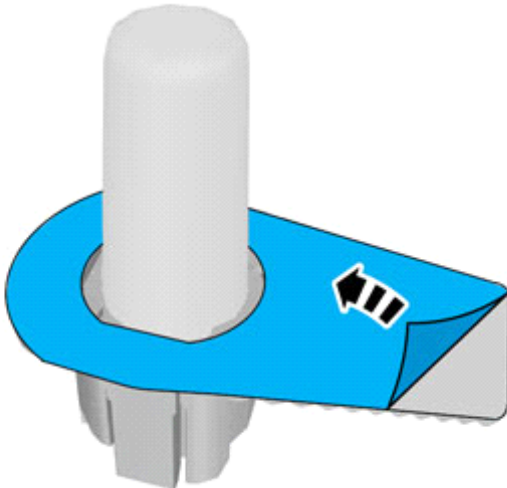
21

Note!
Prepare and install one holder at a time.



IMG-340202

22



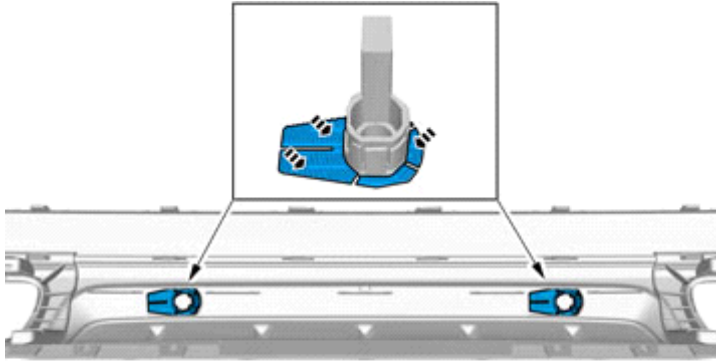
IMG-340690



Installation instructions, accessories

Volvo Car Corporation Gothenburg, Sweden

23



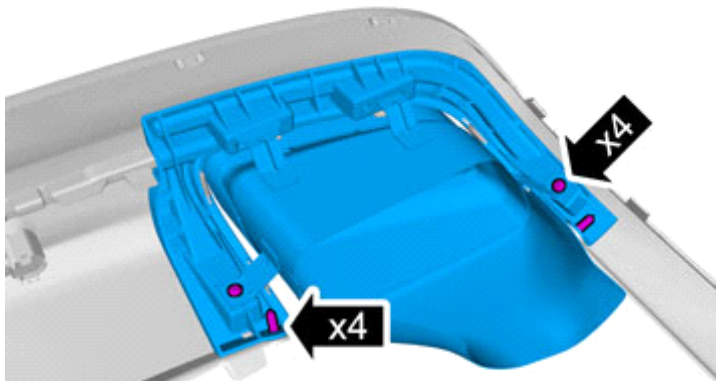
Note!

Ensure that the tape is fixed to the surface.

IMG-375400

Removal

24



IMG-375013

Remove the screws.

Remove the clips.

On both sides.

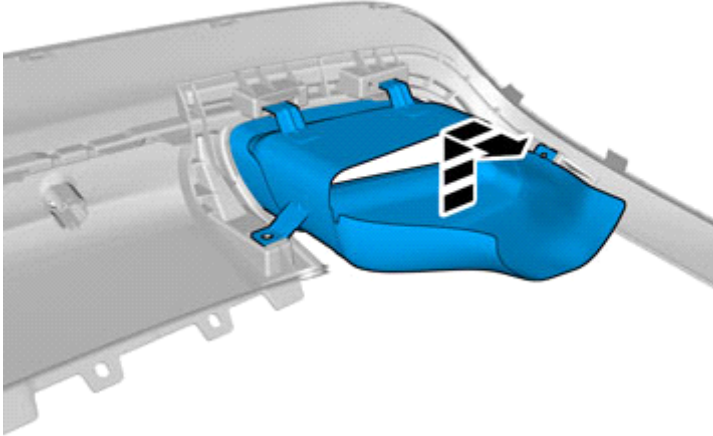


Installation instructions, accessories

Volvo Car Corporation Gothenburg, Sweden

25

The part is to be reused.



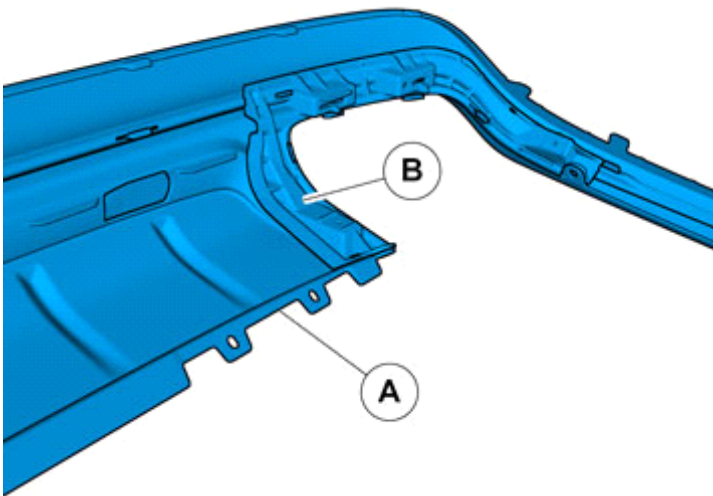
IMG-375034

Accessory installation

26

Install component that comes with the accessory kit.

On both sides.



IMG-375019

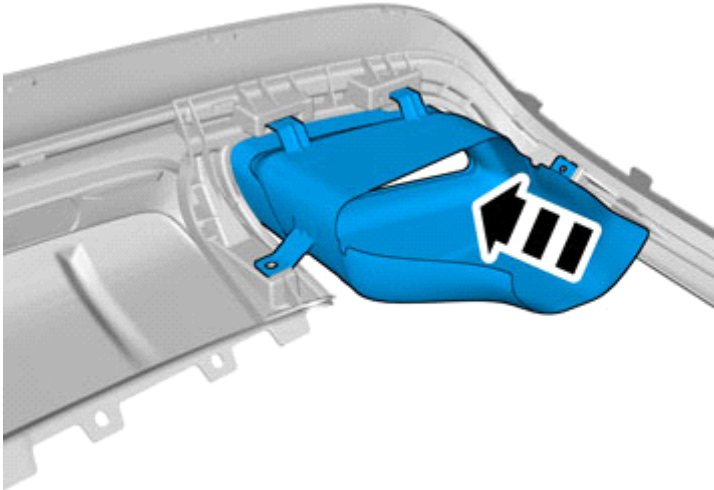
Installation



Installation instructions, accessories

Volvo Car Corporation Gothenburg, Sweden

27

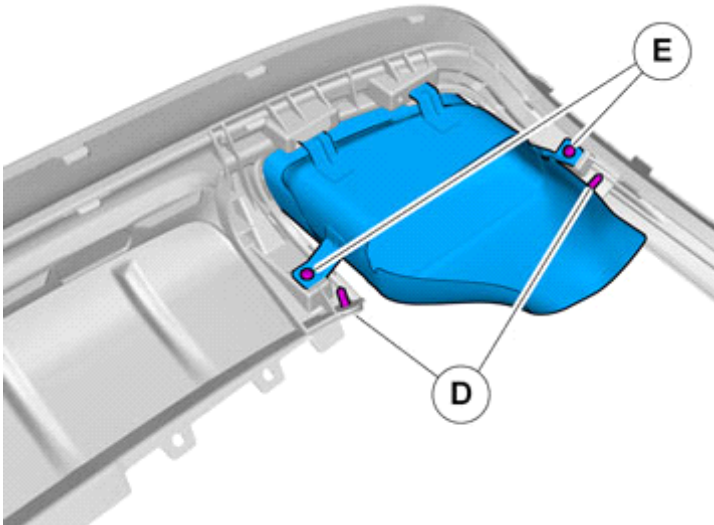


IMG-375039

Reinstall the removed part.

On both sides.

28



IMG-375061

Install the screws.

Install the clip(s).

On both sides.

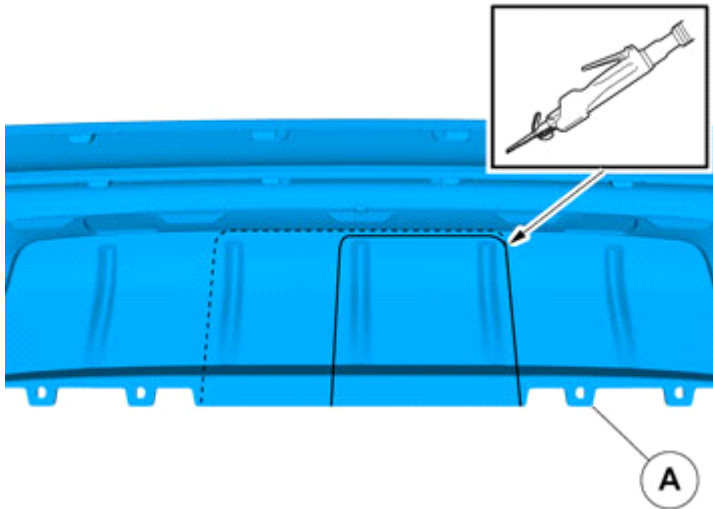
Vehicles with fixed towbar



Installation instructions, accessories

Volvo Car Corporation Gothenburg, Sweden

29



IMG-376088

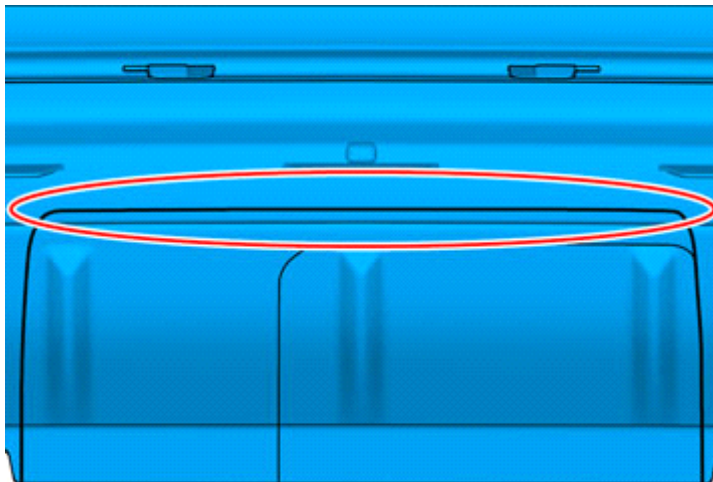
Locate relevant marking.

Use: Air-powered keyhole saw

Remove the swarf.

Vehicles with detachable towbar

30



IMG-377003

Note!

Do not use the uppermost line of the actual markings.

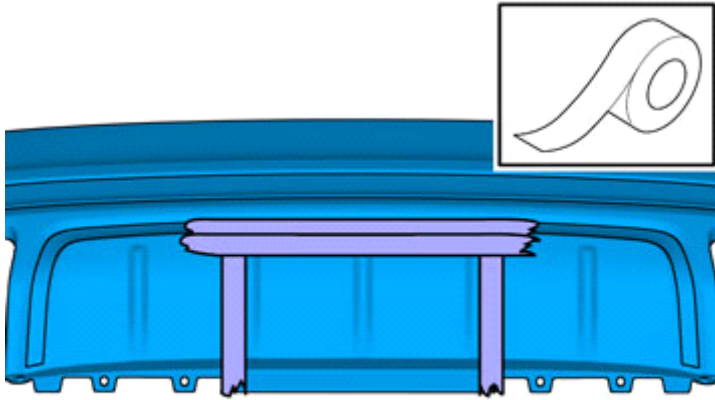
Locate relevant marking.



Installation instructions, accessories

Volvo Car Corporation Gothenburg, Sweden

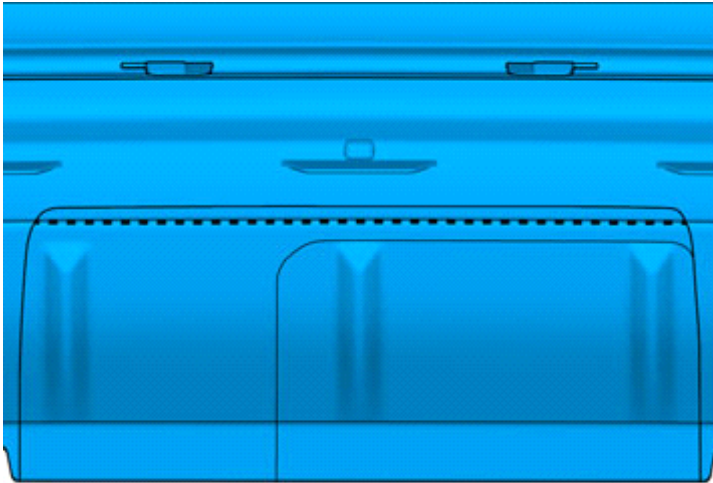
31



Apply tape to the other side, opposite the marking lines.

IMG-376820

32

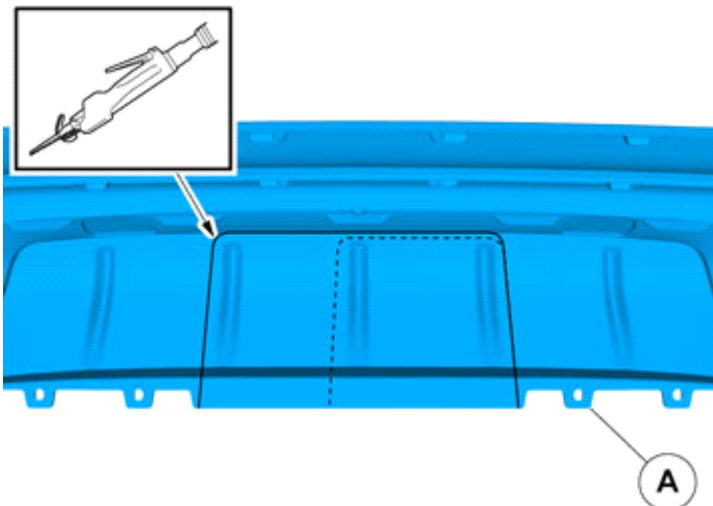


Note!

Saw in the radius between the existing marking lines.

IMG-376938

33



Caution!

Be extra careful when removing or installing this component.

Use: Air-powered keyhole saw

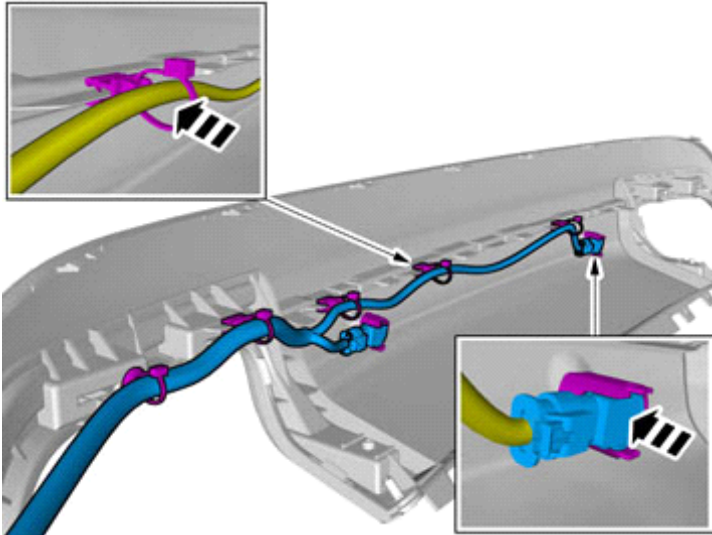
Remove the swarf.

IMG-376090



Vehicles with parking assistance

34

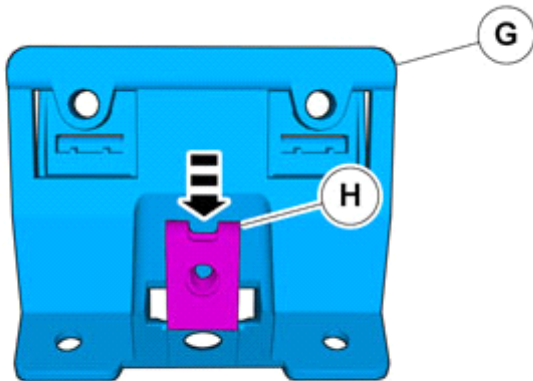


IMG-375066

Accessory installation

Vehicles without Integrated Exhaust End Pipes

35



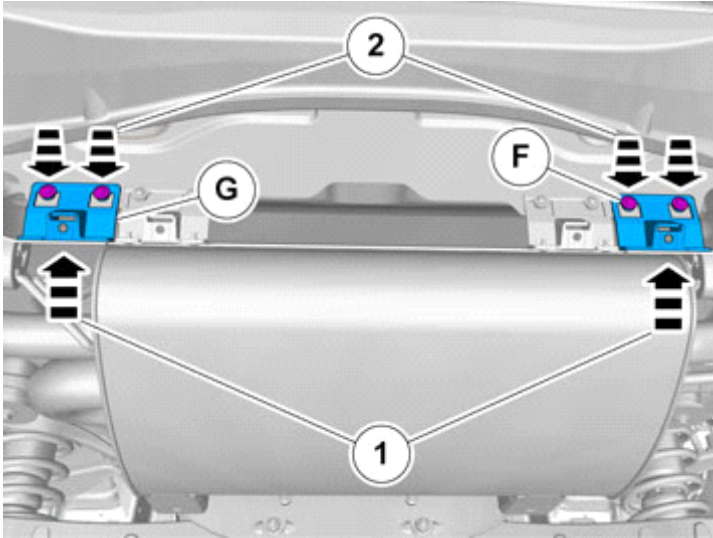
IMG-376790



Installation instructions, accessories

Volvo Car Corporation Gothenburg, Sweden

36



IMG-376782

All vehicles

37



IMG-375059

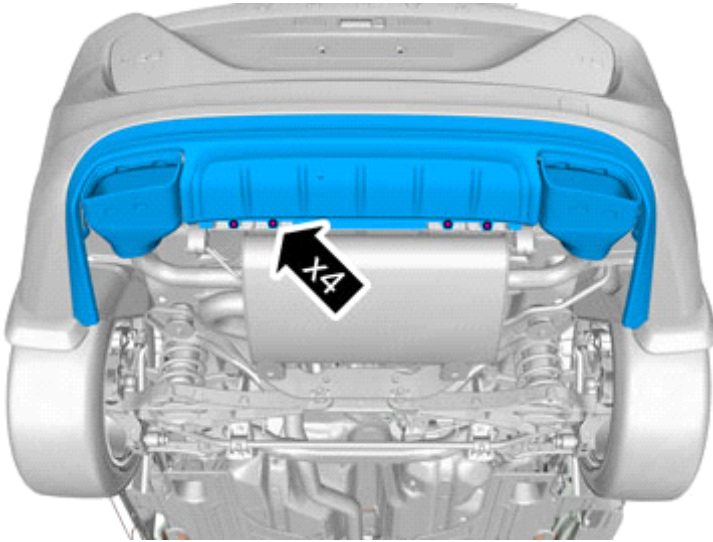


Installation instructions, accessories

Volvo Car Corporation Gothenburg, Sweden

38

Reinstall the screws.



IMG-375063